

**Technical data sheet**

## 227-230-05

### Rotary drive without spring return

**Description**

Actuator for adjusting air dampers of 90° angle of rotation to be used in HVAC installations.

- Torque Motor            **5 Nm**
- Nominal Voltage       **230 VAC/DC**
- Control                 **2/3 Point**
- Damper size            **up to approx. 1 m<sup>2</sup>**
- Damper coupling       **Clamp**  
                                   **∅ 8-12 mm / Ø 8-16 mm**


**Technical data**

<b>Nominal voltage</b>	Nominal voltage	230 VAC/DC
	Nominal voltage range	85...265 VAC/DC
	Power consumption Motor (Motion)	2,0 W
	Power consumption Standby (end position)	1,0 W
	Wire sizing	3,0 VA
	Control	2/3 Point
	Position feedback	-
	Auxiliary switch	-
	Contact load	-
	Switching point	-
	Connection Motor	Cable 1000 mm, 3 x 0,75 mm <sup>2</sup> (halogen free)
	Connection Auxiliary switch	-
	Connection Position feedback	-
Connection GUAC	-	
<b>Functional data</b>	Torque Motor	>5 Nm
	Synchronised speed	-
	Direction of rotation	selected by switch
	Manual override	Gearing latch disengaged with pushbutton, self-resetting
	Angle of rotation	0°... max. 95° can be limited with adjustable mechanical end stop min 20°.
	Running time Motor	< 60...120 s / 90°
	Sound power level Motor	< 35 dB(A)
	Damper coupling	Clamp ∅ 8-12 mm / Ø 8-16 mm
	Position indication	mechanical with pointer

## Technical data

<b>Functional data</b>	Service life	>60'000 cycles (0° - 95° - 0°)
<b>Safety</b>	Protection class	II (double insulation)
	Degree of protection	IP54 (Cable downwards)
	EMC	CE (2004/108/EG)
	LVD	CE (2006/95/EG)
	RoHS	CE (2011/65/EU)
	Mode of operation	Typ 1 (EN 60730-1)
	Rated impulse voltage	4 kV (EN 60730-1)
	Control pollution degree	3 (EN 60730-1)
	Ambient temperature Normal operation	-30°...+50°
	Storage temperature	-30°...+80°
	Ambient humidity	5...95% r.F., non- condensating (EN 60730-1)
	Maintenance	maintenance free
	<b>Dimensions/ Weight</b>	Dimensions
	Weight	ca. 530 g

## Operating mode / Properties

**Operating mode**

2- point.

Through connecting the power supply to BU+BN (1+2) and the direction of rotation switch on position "R" moves the actuator to position 1. Is also BK (1+2+3) connected to the power supply the actuator is moving to position 0.

3- point.

Through connecting the power supply to BU+BN (1+2) and the direction of rotation switch on position "R" moves the actuator to position 1. If the power supply is interrupted the actuator maintains its current position. Is also BU+BK (1+3) connected to the power supply the actuator is moving in direction 0.

The actuator is overload-proof, requires no limit switches and automatically stops when the end stop is reached.

**Direct mounting**

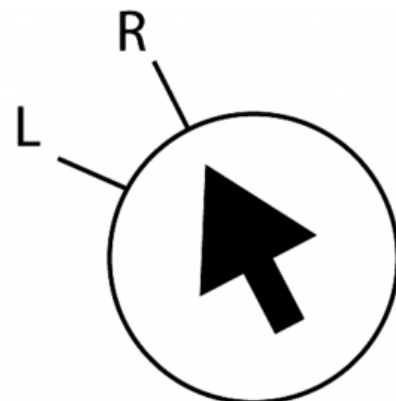
Simple direct mounting on the damper spindle with a universal spindle clamp, supplied with an anti-rotation strap to prevent the actuator from rotating.

**Manual override**

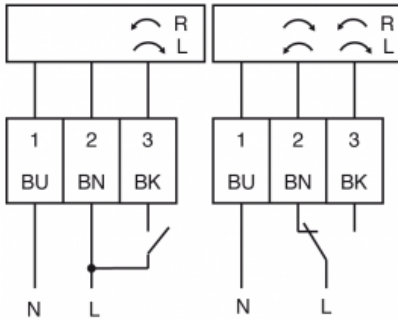
Manual override is possible with the self-resetting pushbutton (the gearing latch remains disengaged as long as the pushbutton is pressed)

**Rotary direction switch**

R= clockwise  
L= counter clockwise



## Connection / Safety remarks


**Safety remarks**

- Attention mains voltage
- The actuator is not allowed to be used outside the specified field of application, especially in airplanes.
- In may only be installed by suitably trained personnel. Any legal regulations or regulations issued by authorities must be observed during assembly.
- The device may only be opened at the manufacturer's site.
- When calculating the required torque, the specifications supplied by the damper manufacturers (cross- section, design, installation site), and the air flow conditions must be observed.
- The actuator is not allowed to be disposed of as household refuse. All locally valid regulations and requirements must be observed.

Technical drawing

