

## Technical data sheet

### 363-230-30

#### Rotary drive without spring return

##### Description

Actuator for adjusting air dampers of 90° angle of rotation to be used in ventilation and air conditioning systems in buildings.

- Torque Motor            30 Nm
- Nominal Voltage       230 VAC/DC
- Control                 2/3 Point
- Valve size             up to approx. 6 m<sup>2</sup>
- Damper coupling      Clamp  
                               $\diamond$  9-18 mm /  $\varnothing$  9-26 mm



##### Technical data

<b>Nominal voltage</b>	Nominal voltage	230 VAC (50/60 Hz), 230 VDC
	Nominal voltage range	85...265 VAC/DC
	Power consumption Motor (Motion)	4,0 W
	Power consumption Standby (end position)	1,5 W
	Wire sizing	7,5 VA
	Control	2/3-point
	Position feedback	-
	Auxiliary switch	-
	Contact load	-
	Switching point	-
	Connection Motor	Cable 1000 mm, 3 x 0,75 mm <sup>2</sup> (halogen free)
Connection Auxiliary switch	-	
Connection Position feedback	-	
Connection GUAC	-	
<b>Functional data</b>	Torque Motor	>30 Nm
	Synchronised speed	± 5%
	Direction of rotation	selected by switch
	Manual override	Gearing latch disengaged with pushbutton, self-resetting
	Angle of rotation	0° ... max. 95°, can be limited with adjustable mechanical end stop
	Running time Motor	<150 s / 90°
	Sound power level Motor	< 45 dB(A)
	Damper coupling	Clamp $\diamond$ 9-18 mm / $\varnothing$ 9-26 mm
	Position indication	mechanical with pointer
	Service life	>60'000 cycles (0° - 95° - 0°)
<b>Safety</b>	Protection class	II (double insulation)

## Technical data

<b>Safety</b>	Degree of protection	IP54 in any mounting position
	EMC	CE (2004/108/EG)
	LVD	CE (2006/95/EG)
	Mode of operation	Typ 1 (EN 60730-1)
	Rated impulse voltage	4 kV (EN 60730-1)
	Control pollution degree	3 (EN 60730-1)
	Ambient temperature Normal operation	-30 ... +50°C
	Storage temperature	-30 ... +80°C
	Ambient humidity	5...95% r.F., non- condensating (EN 60730-1)
	Maintenance	maintenance free
<b>Dimensions/ Weight</b>	Dimensions	193 x 96 x 60 mm
	Weight	ca. 1700 g

## Operating mode / Properties

### Operating mode

2- point.

Through connecting the power supply to BU+BN (1+2) and the direction of rotation switch on position "R" moves the actuator to position 1. Is also BK (1+2+3) connected to the power supply the actuator is moving to position 0.

3- point.

Through connecting the power supply to BU+BN (1+2) and the direction of rotation switch on position "R" moves the actuator to position 1. If the power supply is interrupted the actuator maintains its current position. Is also BU+BK (1+3) connected to the power supply the actuator is moving in direction 0.

The actuator is overload-proof, requires no limit switches and automatically stops when the end stop is reached.

### Direct mounting

Simple direct mounting on the damper spindle with a universal spindle clamp, supplied with an anti-rotation strap to prevent the actuator from rotating.

### Manual override

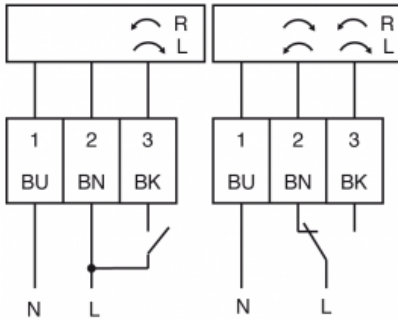
Manual override is possible with the self-resetting pushbutton (the gearing latch remains disengaged as long as the pushbutton is pressed)

### Rotary direction switch

R/CW= clockwise  
L/ CCW= counter clockwise



## Connection / Safety remarks


**Safety remarks**

- Attention mains voltage
- The actuator is not allowed to be used outside the specified field of application, especially in airplanes.
- It may only be installed by suitably trained personnel. Any legal regulations or regulations issued by authorities must be observed during assembly.
- The device may only be opened at the manufacturer's site.
- When calculating the required torque, the specifications supplied by the damper manufacturers (cross-section, design, installation site), and the air flow conditions must be observed.
- The actuator is not allowed to be disposed of as household refuse. All locally valid regulations and requirements must be observed.

Technical drawing

