

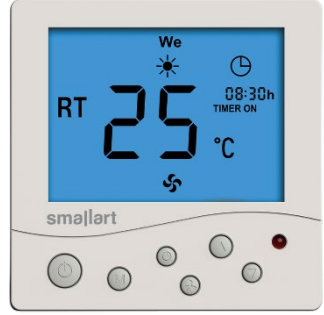
**SM-2008FFN-T4ERL**

**Fan Coil Thermostat**

For 2-pipe and 4-pipe Fan Coil Units

**Features**

- Manual or automatic 3-stage fan control
- On/Off Heating / Cooling valve control
- Blue backlight
- Recessed mounting
- Lower / Upper Limiting
- Remote controlled with an infrared remote control



**Kullanım**

SM-2008FFN-T4ER series Fan Coil Thermostat is used in buildings, rooms or spaces. The thermostat is designed and manufactured to be used in 2-pipe or 4-pipe systems. SM-2008FFN-T4ERL device has five relay outputs on the device that can be used as on/off contacts. The thermostat controls the fan coil unit based on the room sensor temperature.

**Notes on Usage**

Please, read this datasheet carefully. SM-2008FFN-T4ERL thermostat safety rules in accordance with the latest technological developments designed and manufactured. To avoid injury and property damage safety warnings must be observed.

**Security Advice-Caution**

Assembly, maintenance, diagnostic and repair must be done by authorized service. The power supply of the device is 220V AC and it has no internal fuse. External protection with max C 10A circuit breaker required in all cases. Disconnect from power supply before separating front plate.



**Ordering Information**

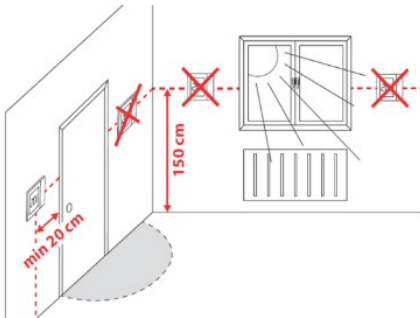
| Product Code     | Description  | Power   |
|------------------|--|---------|
| SM-2008FFN-T4ERL | 3 pcs Digital Outputs (Relay) Fan Control<br>2 pcs Digital Outputs (Relay) Valve Control | 220 VAC |

**Technical Specification**

|                       |                       |
|-----------------------|-----------------------|
| Power Supply          | 220V AC ±10%, 50/60Hz |
| Power Consumption     | < 2.0W                |
| Electrical Connection | Terminal Connectors   |
| Relay Rating          | 1A                    |

|                              |                                   |
|------------------------------|-----------------------------------|
| Temperature Accuracy         | ±1°C                              |
| Temperature Control Accuracy | ±1°C                              |
| Outputs                      | 5 pcs Digital Output (5A Relay) * |
| Maximum Humidity             | %5~90                             |
| Valve Control                | On/Off                            |
| Storage Temperature          | -10~60 °C                         |
| Operating Temperature        | 0~45 °C                           |
| Grade of Protection          | IP20                              |
| Dimensions                   | 86 x 86 x 13 mm                   |
| Mounting                     | Siva alti montaji                 |
| Temperature Range            | 5~35°C adjustable                 |

### Mounting Location

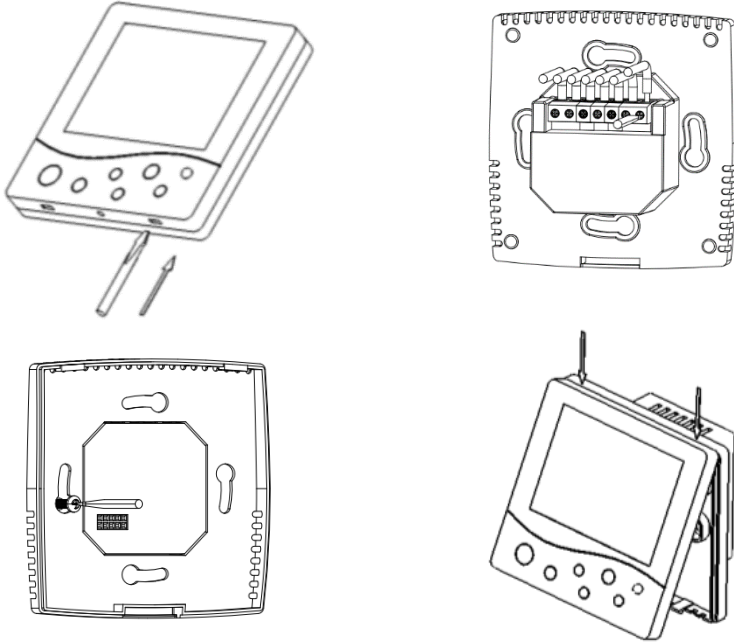


Mount the room thermostat on the cable conduit. Do not mount in niches or bookcases, behind curtains, above or near heat sources. Install at a height of about 1.5 meters from the floor. Devices must be mounted on clean, dry indoor place without direct airflow from a heating/cooling device. Do not expose to dripping or splashing.

**CAUTION: Disconnected the power supply before removing the front cover. Wiring, protection, and earthing should be done in accordance with the direction.**



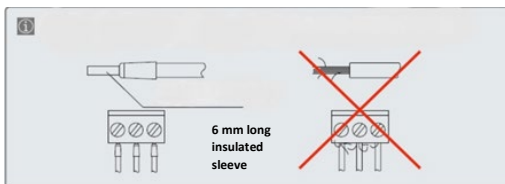
**Mounting Instructions**



Please follow below instructions during mounting.

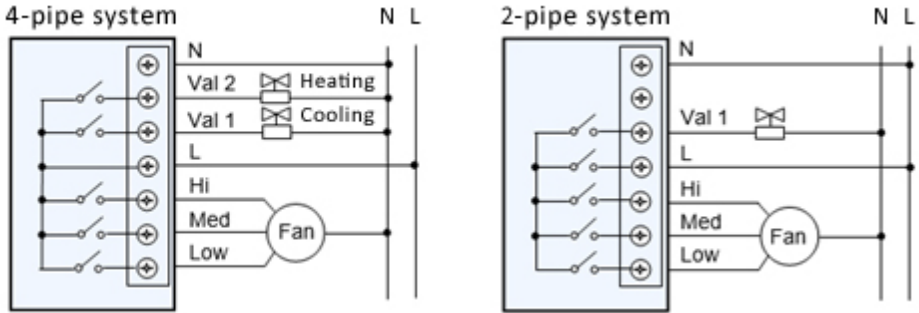
- Step 1:** Take the thermostat and the document out of the box. Open the tabs at the bottom with a 3.5mm screwdriver.
- Step 2:** Connect the cables according to the wiring diagram below.
- Step 3:** Mount the back cover on the wall.
- Step 4:** Attach Connect the front plate to the back plate. Make sure that the pins on the front plate are fully inserted into the back plate. Push the front of the case until you hear a click.
- Step 5:** Refer to the pictures after installation.
- Step 6:** Power on the thermostat to work.

**Important Note:** It is recommended to use the screws included in the product box. Otherwise, there could be fitting problems during the mounting.



**Caution!** *The ends of the connecting wires must be protected against delamination using insulated sleeves as shown in the figure.*

**Wiring Diagram**



**Display and Operations**

- **On/Off:** Press power button to switch on and off thermostat.
- **Temperature Setting:** Press the "▼" button to decrease the temperature and the "▲" button to increase the temperature.
- **Cooling:** Press "M" button until ❄️ sign appears on the screen. Cooling mode becomes active 5 seconds after it is selected
- **Heating:** Press "☀️" button until "M" sign appears on the screen. Cooling mode becomes active 5 seconds after it is selected.
- **Auto (Cool/Heat):** Press "M" button until 🌀 sign appears on the screen. Automatic mode is activated 5 seconds after it is selected. If the room temperature is 1°C or more above the set value, the controller will automatically switch to Cooling mode; If the room temperature is 1°C or more below the set value, the controller will automatically switch to heating mode.
- **Fan Speed Setting:** Press "🌀" button to change the fan speed "🌀" ( High) 🌀 ( Medium), 🌀 ( Low) 🌀 ( Auto)". When (Auto) is selected, the fan speed is adjusted automatically. If the difference between the room temperature and the set value is 1°C, Low Speed will be active, if 2°C, Medium Speed, if 3°C or more, High Speed will be active.

Time setting (for SM2008FFS-T4ERL model): Press "🕒" until "hh:mm" appears and "mm" starts flashing. Adjust the minute with the "▲" and "▼" keys and press the "🕒" key. While "hh" is flashing, you can set the time with "▲" and "▼" and keys. Set it and press the "🕒" button. While "week" is flashing, set the day of the week with "▼" and "▲" keys.

(Mo=Monday, Tu=Tuesday, We Wednesday, Th=Thursday, Fr=Friday, Tu=Saturday, Su=Sunday)

**WEEKLY SCHEDULE SETTING (SM2008FFS-T4ERL)**

**Mid-week:**

Press and hold the "🕒" button until "Mo Tu We Th Fr" appears, "🕒", "TIMER ON" and "mm" will flash, set "▲" and "▼" the minute, press the "🕒" button. While "hh" is flashing, set the hour with "▲" and "▼" and keys and press "🕒" button press. While "hh" is flashing, adjust the time with the "▲" and "▼" keys and press the "🕒" key.

**Weekend:**

Press and hold the "🕒" button until "Sa Su" appears, "🕒", "TIMER ON" and "mm" will flash; the remaining steps are the same as above. Settings are saved automatically within 6 seconds. Timing steps are 30 minutes, make sure that the time intervals of the periods do not overlap.

**Sensor Calibration:**

Turn off the controller and press and hold the “M” and “⊕” keys simultaneously for 3 seconds. “XX °C” appears on the display. Set the correct temperature by pressing the “▲” or “▼” keys. Changes become active automatically after seconds or when the controller is turned off.

**Low Temperature (Freeze) Protection:**

When the room temperature drops by 5°C when the controller is turned off, the controller will automatically turn on in heating mode. The fan runs at high speed and the heating valve opens. When the room temperature rises by 7°C, the fan and the heating valve are automatically turned off.

LOW TEMPERATURE PROTECTION SETTING: Turn off the controller and press and hold the “M” key for 3 seconds.

“00” or “01” is displayed on the screen. By pressing the “▲” or “▼” keys, the desired state is set .

“00” undertemperature protection

inactive “01” undertemperature

protection active. Default is “00”

**Configuration Menu Parameters**

- Press and hold the power button “⊕” for 10 seconds to enter the configuration menu.
- You will see the parameter number and value on the screen (For example “1 04”).
- “▲” ve “▼” You can change the setting value with the keys.
- Move to the next parameter by pressing the “M” key and change the parameter value by repeating the above steps.
- Press the “⊕” button or wait about 1 minute to exit the configuration menu.

| No. | Parameter Name                           | Parameter Description   | Default |
|-----|--|---|---------|
| P1  | Fan Coil System Selection                | 03= 2-pipe  |         |
|     |  | 04= 4- pipe   | X       |
| P2  | Fan Control Operation                    | DA= Fan is always on as long as the controller is on.         |         |
|     |  | DB= The fan only works if there is a heating/cooling request. | X       |
| P3  | Power on status in case of power failure | 01= System On (in any case)                                   |         |
|     |  | 02= System Off (in any case)                                  |         |
|     |  | 03= System in Last Position                                   | X       |
| P4  | Valve Type Selection                     | 00= Val1 and Val2 Normally Open                               |         |
|     |  | 01= Val1 Normally Closed, Val2 Normally Open                  |         |
|     |  | 02= Val1 Normally Open, Val2 Normally Closed                  |         |
|     |  | 03= Val1 and Val2 Normally Closed                             | X       |
| P5  | Mode Control Selection                   | 00= Manuel  | X       |
|     |  | 01= Automatic (Only in 4-pipe system)                         |         |
| P6  | Dead Zone (Heating-Cooling)              | 01-05= Active in Auto mode for 4-pipe systems                 | 01 °C   |
| P7  | Heating System                           | 00= Fan Coil (Fan works normally in heating mode)             | X       |
|     |  | 01= Radiator (Fan does not work in heating mode)              |         |
| P8  | Setpoint Low Limit                       | 05-22= Adjust Between 5 °C...22 °C                            | 05 °C   |
| P9  | Setpoint High Limit                      | 23-35= Adjust Between 23 °C...35 °C                           | 35 °C   |

**Table Descriptions**

**P1- Selectable System Type:** It is used to select the unit control type as 2 or 4 pipes.

**P2- Fan Control:** This parameter determines the operating state of the fan after the room temperature reaches the set value.

\*

**P3- Power on status in case of power failure:** This parameter determines in which state the device will turn on when the power is turned off and then on again. There are three states:

- 1: Automatically open the system.
- 2: Keep system off.
- 3: Keep the original state of the system before the power failure.

**P4- Valve Type Selection:** This parameter determines that each valve is normally closed and normally open for 4 different states.

**P5- Mode Control Selection:** It can manually select the heating or cooling mode. When the automatic selection is made, if the set value is entered above the ambient temperature, the fan coil is activated and tries to heat the environment. On the contrary, it tries to cool the environment.

**P6- Dead Zone:** This parameter determines the zone where the device will not heat or cool. No heating or cooling takes place until the difference between the setpoint and the room temperature exceeds this zone.

**P7- Heating system:** Determines whether the fan works in heating mode.

**P8&P9- Temperature Limitation:** The minimum and maximum temperature set values that can be entered via the thermostat are set.

#### Dimensions (mm):

