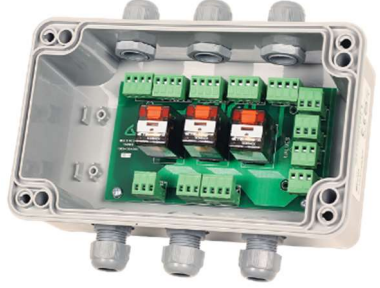


**Features**

- 220V AC, 50/60 Hz power supply
- 3-speed fan control
- 6A per relay current capable
- Up to 4 pcs. FCU control
- 2-4 pipe applications
- Heating/Cooling Valve connection connectors
- Relays manual override feature
- Relays can be replaceable
- Easy cable wiring with suitable terminal blocks
- IP65 plastic enclosure
- Wall mount plastic enclosure

**Applications**

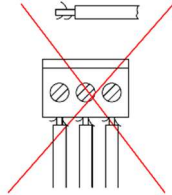
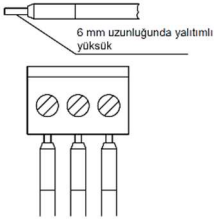
MF100 multiplexer modules are used in building automation and HVAC applications. The module is used to multiplex the fan coil unit. It can multiplex up to 4 pcs of FCU units.

**Notes on Usage**

Please, read this datasheet carefully. MF100 module safety rules in accordance with the latest technological developments designed and manufactured. To avoid injury and property damage safety warnings must be observed.

**Security Advice-Caution**

Installation, maintenance, and repair of the device should be done by authorized service. External protection with a suitable circuit breaker required in all cases. Disconnect from power supply before making any changing on the module.



The ends of the connecting cables must be protected against delamination using insulated ferrules as shown in the figure.



**Ordering Information**

Product Code	Description	Power
MF100 Multiplexer Module	3 Speed Fan Control (Relay) Up to 4 pcs FCU control 2-4 pipe applications	Max. 6 Amper Per Relay

**Technical Specification**

Power Supply	220V AC 50/60Hz
Power Consumption	Max. 6 Amper per relay
Operating Temperature	0-80 °C
Storage Temperature	-25+80 °C
Operating Humidity	%5...95 rh, Non-Condensing
Cable Connected	Socket Terminal Block, max 1 x 2,5 mm <sup>2</sup>
Plastic Box	IP65 according to EN 60529
Box Type	DIN Rail Plastic Enclosure
Plastic Enclosure Material	ABS (UL 94 V-0)
Dimensions	226 x 169 x 98 mm (W x H x D)

**Mounting Location**

The module is suitable for wall mounting due to its structure. It is recommended to have space for cable connections to the terminals to be made while mounting.

**CAUTION: Power off supply at 10A-C type circuit breaker or glass fuse before installation to avoid fire, shock or death.**

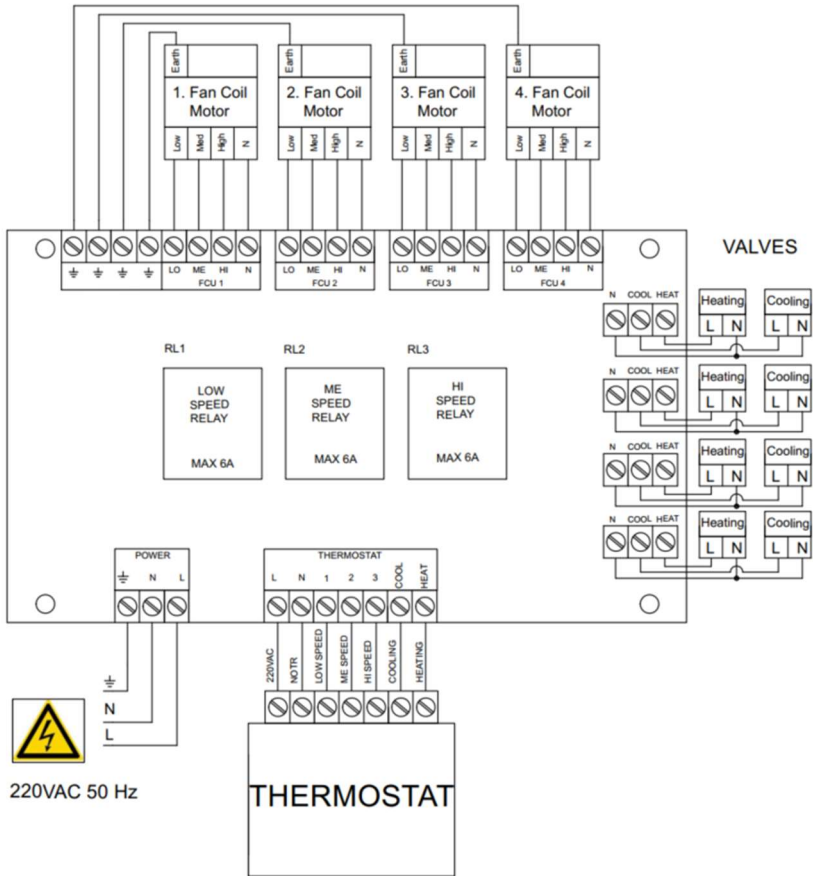


**Mounting Instructions**

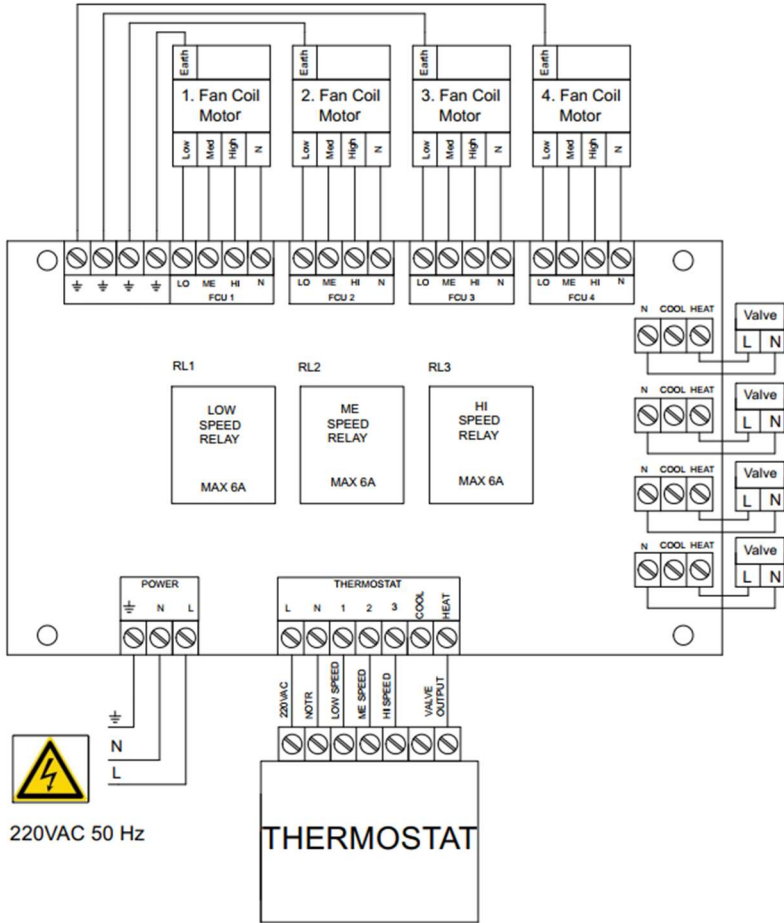
Please follow below instructions during mounting.

- Step:** Make sure the device is powered OFF.
- Step:** Connect the wires well according to the connection diagrams below.
- Step:** Make sure that all connections are made well.
- Step:** Power the device ON.

**Connection Diagrams**



**MF100 Connection Diagram**



**MF100 Connection Diagrams for 2-Pipe**

**Not:** Please connect related valve output from the thermostat to the multiplexer module when 2-pipe application is used. So proper valve output can be achieved from the multiplexer module.

**Dimensions(mm)**

